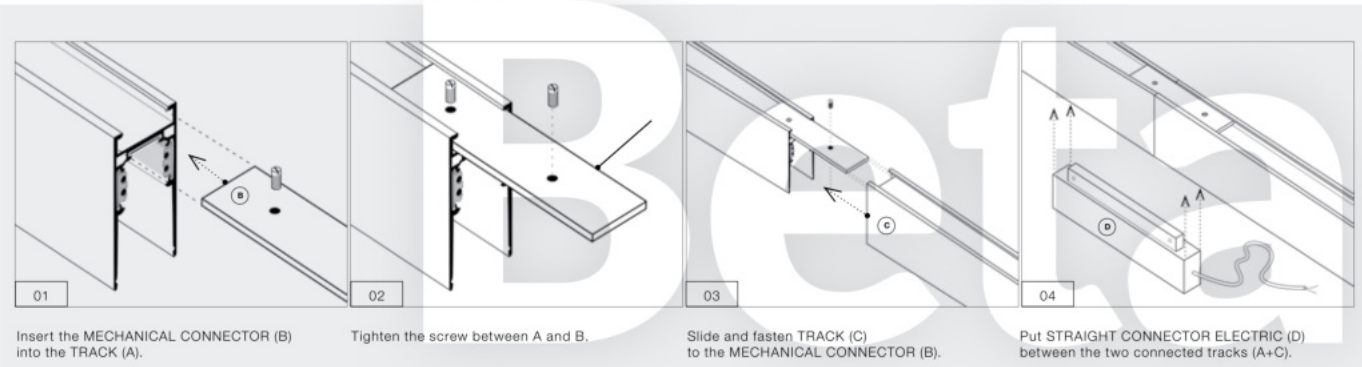
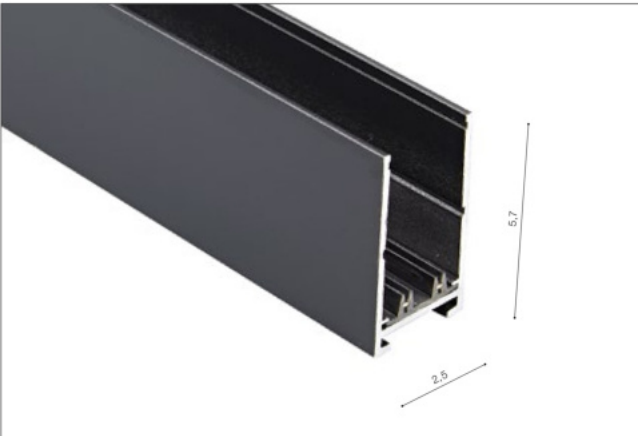
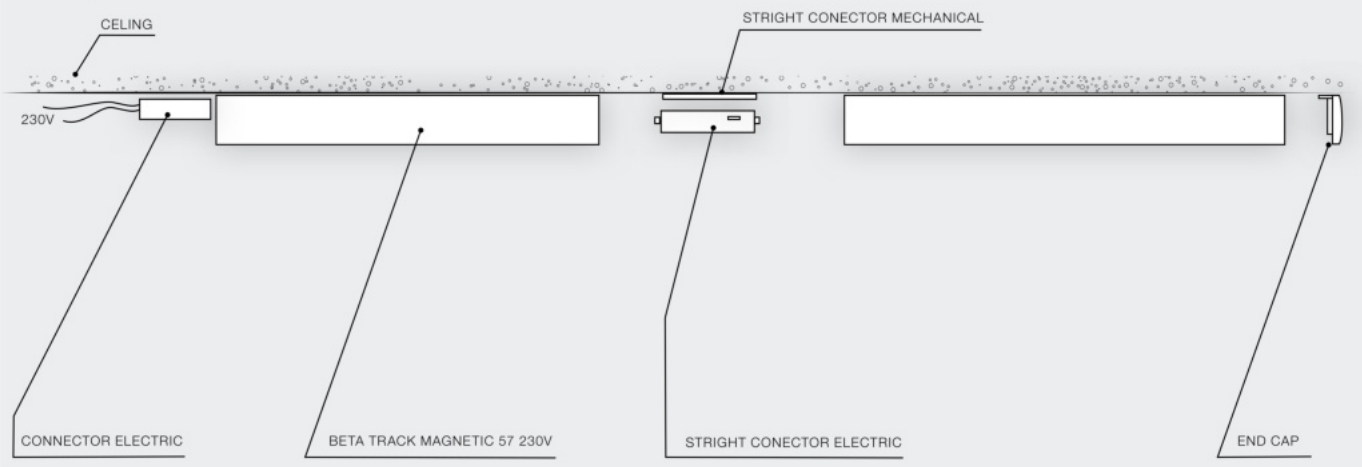


# BETA TRACK MAGNETIC57 230V

## Components for BETA Track Magnetic



### Example of the connection between track



### BETA TRACK MAGNETIC57 230V (1M, 2M, 3M)

- BETA TRACK MAGNETIC57 230V 1M (BLACK) . . . . . **AZ5139**
- BETA TRACK MAGNETIC57 230V 1M (WHITE) . . . . . **AZ5140**
- BETA TRACK MAGNETIC57 230V 2M (BLACK) . . . . . **AZ5241**
- BETA TRACK MAGNETIC57 230V 2M (WHITE) . . . . . **AZ5242**
- BETA TRACK MAGNETIC57 230V 3M (BLACK) . . . . . **AZ5143**
- TRACK MAGNETIC57 230V 3M (WHITE) . . . . . **AZ5144**

**DESIGN PATENTED BY AZZARDO**

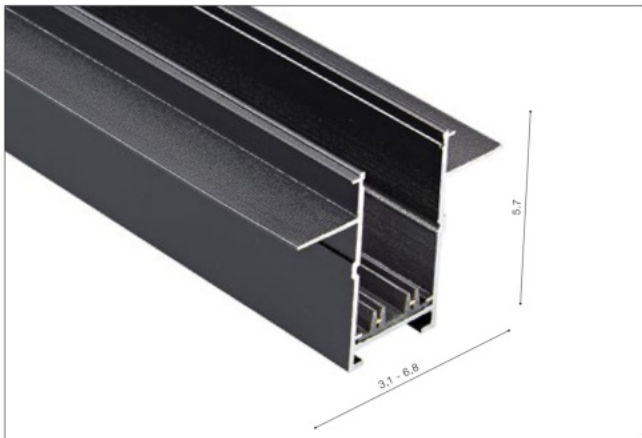
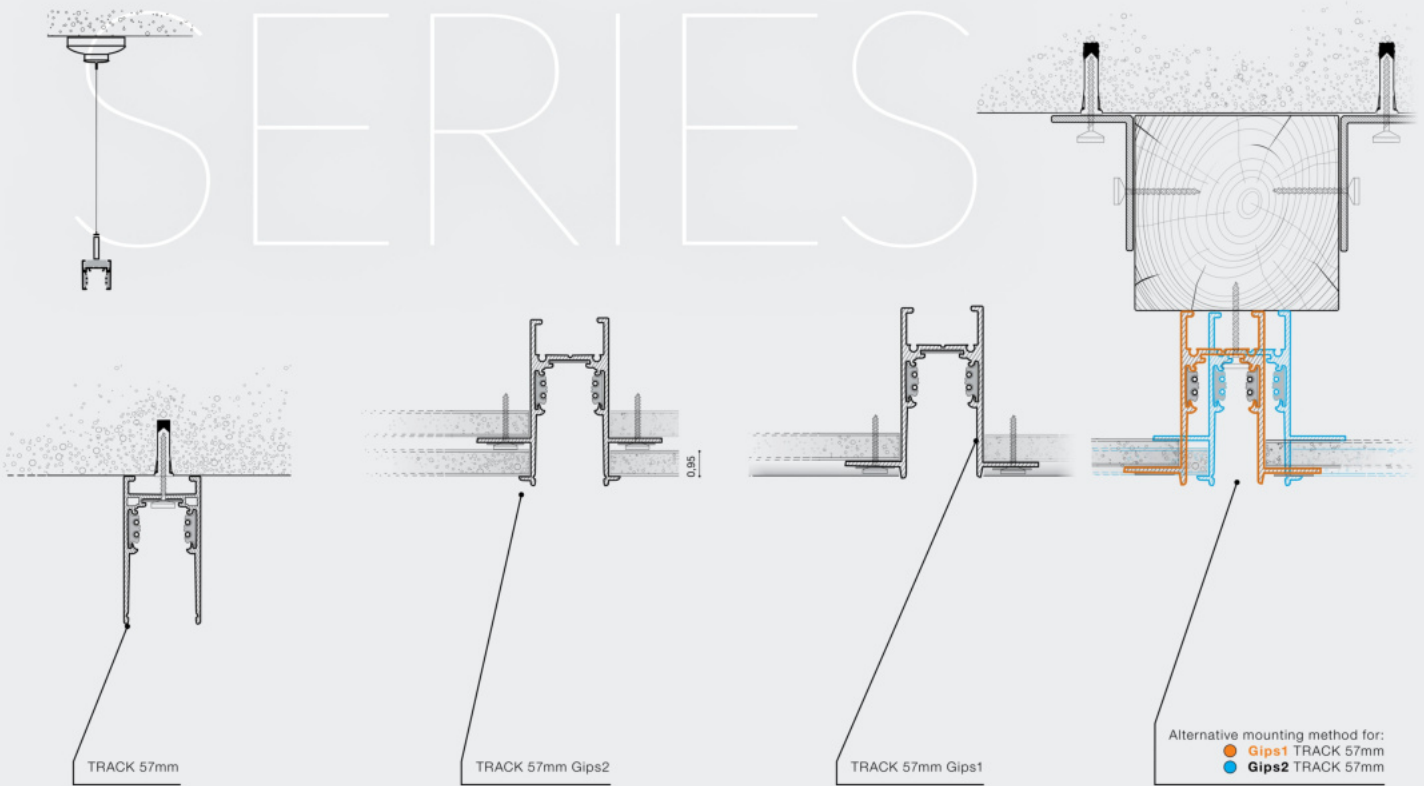


### BETA TRACK MAGNETIC57 230V GIPS1 (1M, 2M, 3M)

- BETA TRACK MAGNETIC57 230V GIPS1 1M (BLACK) . . . . . **AZ5145**
- BETA TRACK MAGNETIC57 230V GIPS1 1M (WHITE) . . . . . **AZ5146**
- BETA TRACK MAGNETIC57 230V GIPS1 2M (BLACK) . . . . . **AZ5147**
- BETA TRACK MAGNETIC57 230V GIPS1 2M (WHITE) . . . . . **AZ5148**
- BETA TRACK MAGNETIC57 230V GIPS1 3M (BLACK) . . . . . **AZ5149**
- BETA TRACK MAGNETIC57 230V GIPS1 3M (WHITE) . . . . . **AZ5150**

**DESIGN PATENTED BY AZZARDO**

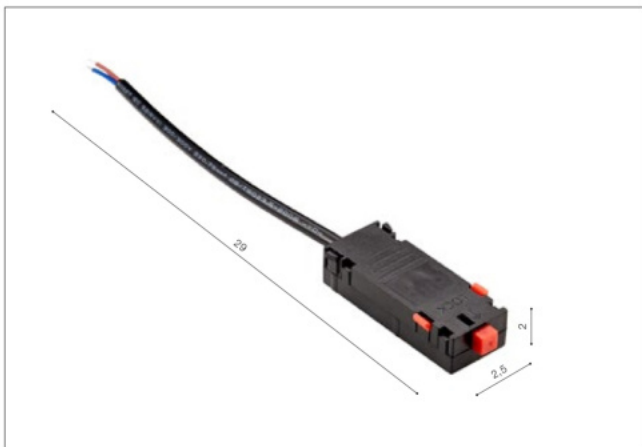
Available options for installation place – surface-mounted, flush-mounted and suspended



**BETA TRACK MAGNETIC57 230V GIPS2  
(1M, 2M, 3M)**

- BETA TRACK MAGNETIC57 230V GIPS2 1M (BLACK) . . . . . **AZ5170**
- BETA TRACK MAGNETIC57 230V GIPS2 2M (BLACK) . . . . . **AZ5171**
- BETA TRACK MAGNETIC57 230V GIPS2 3M (BLACK) . . . . . **AZ5172**

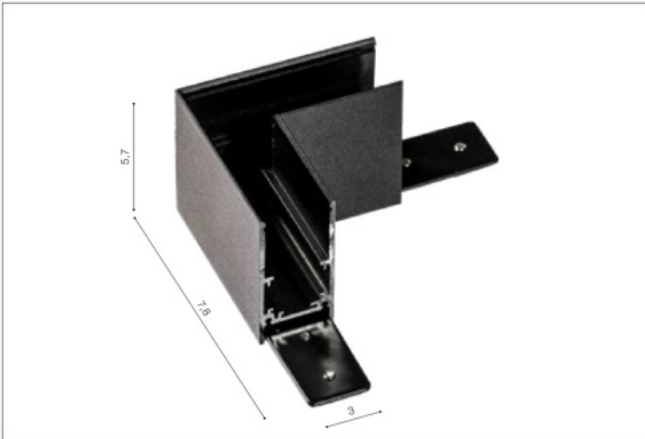
**DESIGN PATENTED BY AZZARDO**



**BETA TRACK MAGNETIC57 230V  
ELECTRICAL CONNECTOR**

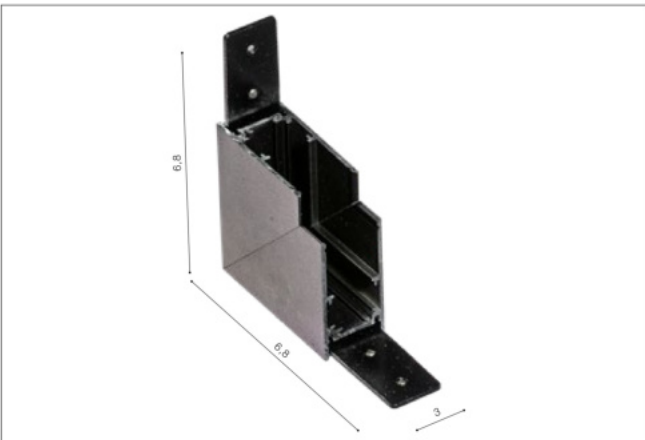
- BETA TRACK MAGNETIC57 230V CONNECTOR (BLACK) . . . . . **AZ5154**

**BETA TRACK MAGNETIC57 230V**



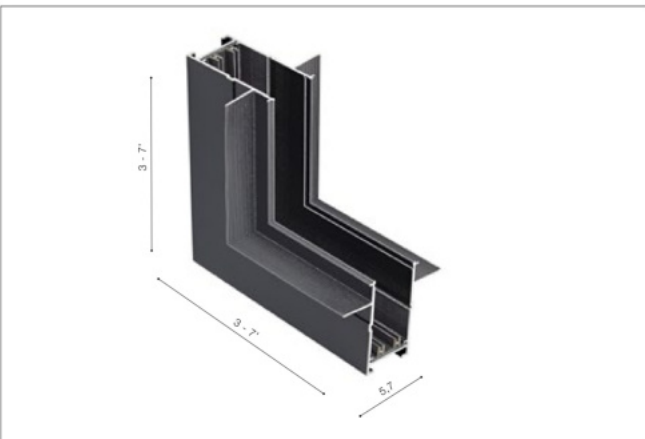
**BETA TRACK MAGNETIC57 230V  
CORNER90 A**

- BETA TRACK MAGNETIC57 230V CORNER90 A (BLACK) . . . . . **AZ5158**
- BETA TRACK MAGNETIC57 230V CORNER90 A (WHITE) . . . . . **AZ5159**



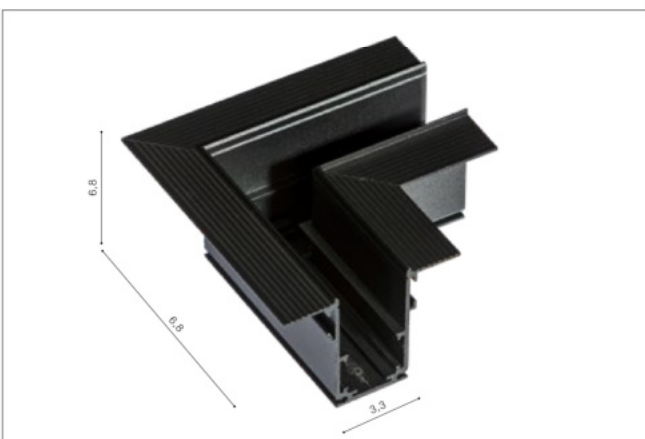
**BETA TRACK MAGNETIC57 230V  
CORNER90 B**

- BETA TRACK MAGNETIC57 230V INNER CORNER90 B (BLACK) . . . . . **AZ5160**
- BETA TRACK MAGNETIC57 230V INNER CORNER90 B (WHITE) . . . . . **AZ5161**



**BETA TRACK MAGNETIC57 230V  
CORNER90 B GIPS1**

- BETA TRACK MAGNETIC57 230V CORNER90 B GIPS1 (BLACK) . . . . . **AZ5164**
- BETA TRACK MAGNETIC57 230V CORNER90 B GIPS1 (WHITE) . . . . . **AZ5165**



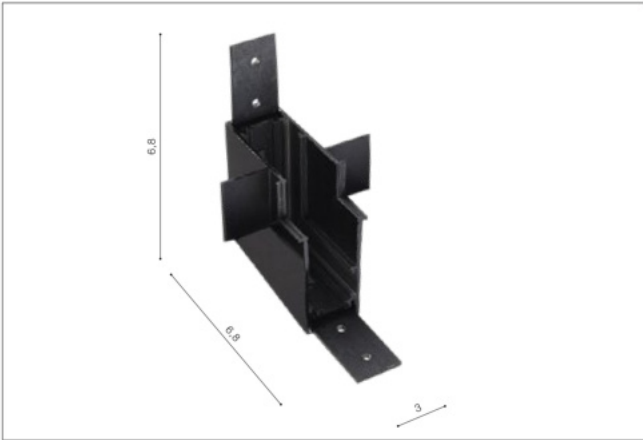
**BETA TRACK MAGNETIC57 230V  
CORNER90 A GIPS1**

- BETA TRACK MAGNETIC57 230V CORNER90 A GIPS1 (BLACK) . . . . . **AZ5162**
- BETA TRACK MAGNETIC57 230V CORNER90 A GIPS1 (WHITE) . . . . . **AZ5163**



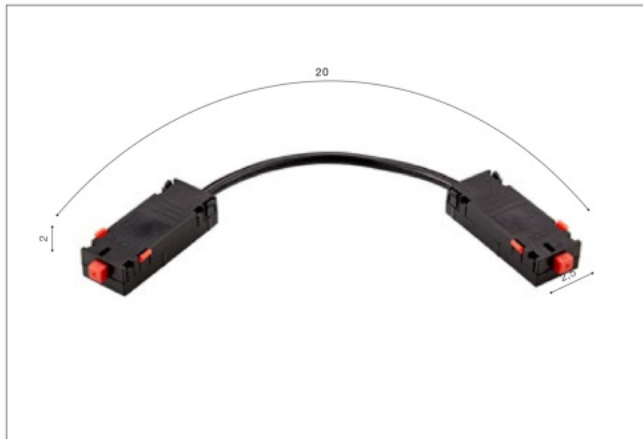
**BETA TRACK MAGNETIC57 230V  
CORNER90 B GIPS2**

■ BETA Track Magnetic57 230V Corner90 B Gips2 (black) . . . . . **AZ5174**



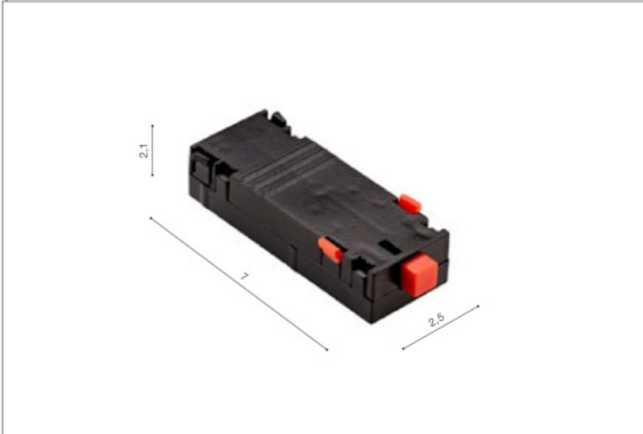
**BETA TRACK MAGNETIC57 230V  
CORNER90 A GIPS2**

■ BETA TRACK MAGNETIC57 230V CORNER90 A GIPS2 (BLACK) . . . . . **AZ5173**



**BETA TRACK MAGNETIC57 230V  
FLEX CONNECTOR ELECTRIC**

■ BETA TRACK MAGNETIC57 230V FLEX CONNECTOR ELECTRIC (BLACK) . . . **AZ5153**



**BETA TRACK MAGNETIC57 230V  
STRAIGHT CONNECTOR ELECTRIC**

■ BETA TRACK MAGNETIC57 230V STRAIGHT CONNECTOR ELECTRIC (BLACK) **AZ5152**



# BETA TRACK MAGNETIC57 230V

Accessories for BETA Track Magnetic



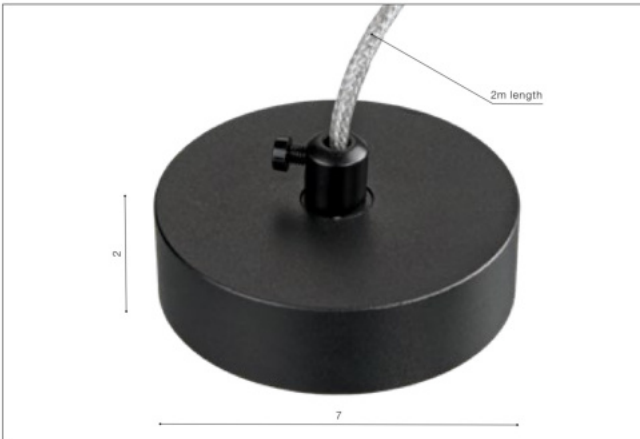
## BETA TRACK MAGNETIC57 230V STRAIGHT CONNECTOR MECHANICAL

- BETA TRACK MAGNETIC57 230V STRAIGHT CONNECTOR MECHANICAL (BLACK) . . . . .AZ5151



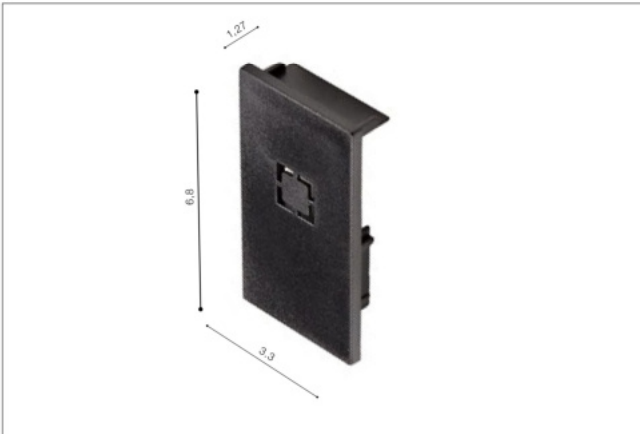
## BETA TRACK MAGNETIC57 230V SUSPENSION KIT

- BETA TRACK MAGNETIC57 230V SUSPENSION KIT (BLACK) . . . . .AZ5155



## Ceiling Plate + Wire

- TRACK CEILING PLATE + WIRE (BLACK) . . . . .AZ4780
- TRACK CEILING PLATE + WIRE (WHITE) . . . . .AZ4782

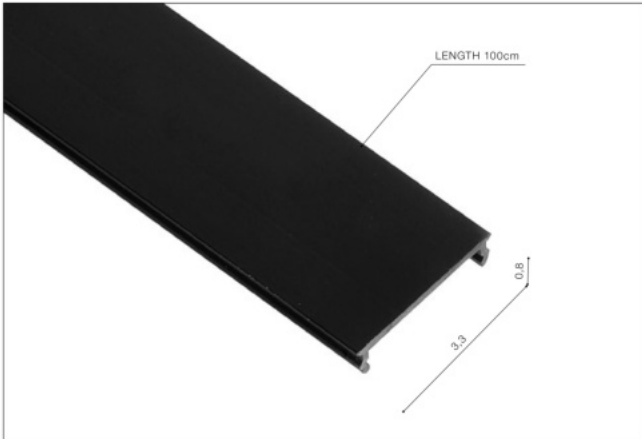


## BETA TRACK MAGNETIC57 230V END CAP

- BETA TRACK MAGNETIC57 230V END CAP (BLACK) . . . . .AZ5166
- BETA TRACK MAGNETIC57 230V END CAP (WHITE) . . . . .AZ5167

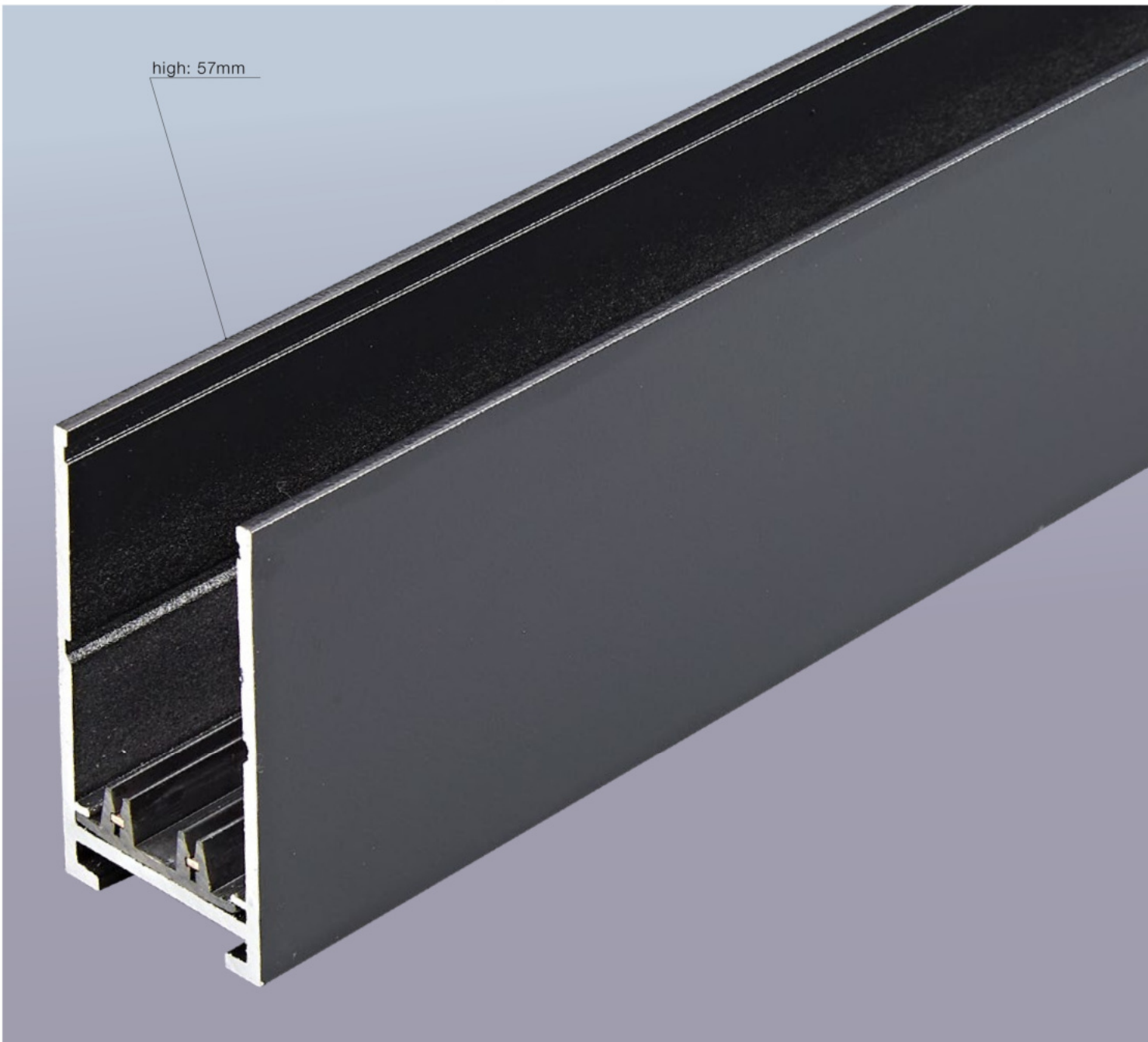
# BETA TRACK MAGNETIC57 230V

Accessories for BETA Track Magnetic



## BETA TRACK MAGNETIC57 230V COVER

- BETA TRACK MAGNETIC57 230V COVER (BLACK) .....AZ5168
- BETA TRACK MAGNETIC57 230V COVER (WHITE) .....AZ5169



# BETA MAKITA 230V TRACK MAGNETIC57

100 Track Magnetic System – BETA



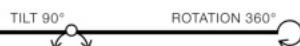
BK

**BETA MAKITA 230V TRACK MAGNETIC 10W**  
3000K/4000K LED integrated

voltage: 230V	LED 10W 728lm 3000K dimmable	
IP20	LED 10W 816lm 4000K dimmable	
technical specification	installation: BETA Track Magnetic 230V	<input type="checkbox"/>
	beam angle: 24°	<input type="checkbox"/>

COLOUR / NEW INDEX NO.

- 3000K BLACK (BK) . . . . . **AZ5199**
- 4000K BLACK (BK) . . . . . **AZ5200**



BK

**BETA MAKITA 230V TRACK MAGNETIC 20W**  
3000K/4000K LED integrated

voltage: 230V	LED 20W 1396lm 3000K dimmable	
IP20	LED 20W 1557lm 4000K dimmable	
technical specification	installation: BETA Track Magnetic 230V	<input type="checkbox"/>
	beam angle: 24°	<input type="checkbox"/>

COLOUR / NEW INDEX NO.

- 3000K BLACK (BK) . . . . . **AZ5201**
- 4000K BLACK (BK) . . . . . **AZ5202**



# BETA SAGA 230V TRACK MAGNETIC57



BK

## BETA SAGA 230V TRACK MAGNETIC 9W

3000K/4000K LED integrated

voltage: 230V	LED 9W 495lm 3000K dimmable	<b>LED</b>
IP20	LED 9W 524lm 4000K dimmable	
technical specification	installation: BETA Track Magnetic 230V	<input type="checkbox"/>
	beam angle: 120°	<input type="checkbox"/>

COLOUR / NEW INDEX NO.

- 3000K BLACK (BK) . . . . . **AZ5190** ⇄
  - 4000K BLACK (BK) . . . . . **AZ5214** ⇄
- 22



BK

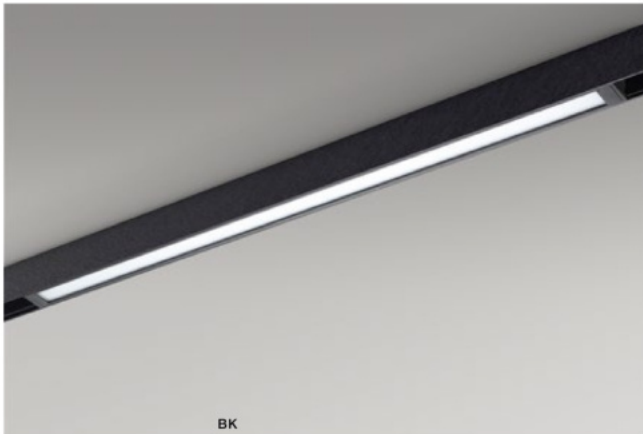
## BETA SAGA 230V TRACK MAGNETIC 18W

3000K/4000K LED integrated

voltage: 230V	LED 18W 603lm 3000K dimmable	<b>LED</b>
IP20	LED 18W 1097lm 4000K dimmable	
technical specification	installation: BETA Track Magnetic 230V	<input type="checkbox"/>
	beam angle: 120°	<input type="checkbox"/>

COLOUR / NEW INDEX NO.

- 3000K BLACK (BK) . . . . . **AZ5191** ⇄
  - 4000K BLACK (BK) . . . . . **AZ5215** ⇄
- 41



BK

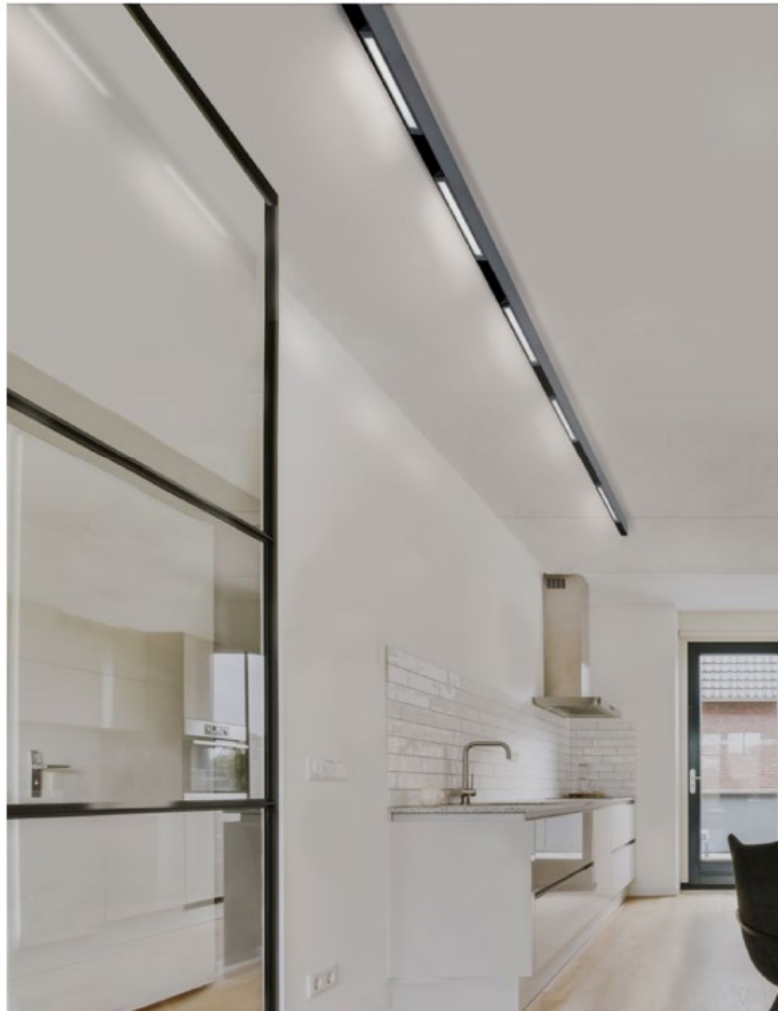
## BETA SAGA 230V TRACK MAGNETIC 27W

3000K/4000K LED integrated

voltage: 230V	LED 27W 947lm 3000K dimmable	<b>LED</b>
IP20	LED 27W 1215lm 4000K dimmable	
technical specification	installation: BETA Track Magnetic 230V	<input type="checkbox"/>
	beam angle: 120°	<input type="checkbox"/>

COLOUR / NEW INDEX NO.

- 3000K BLACK (BK) . . . . . **AZ5192** ⇄
  - 4000K BLACK (BK) . . . . . **AZ5216** ⇄
- 60





# BETA KIRA 230V TRACK MAGNETIC57

102 Track Magnetic System – BETA





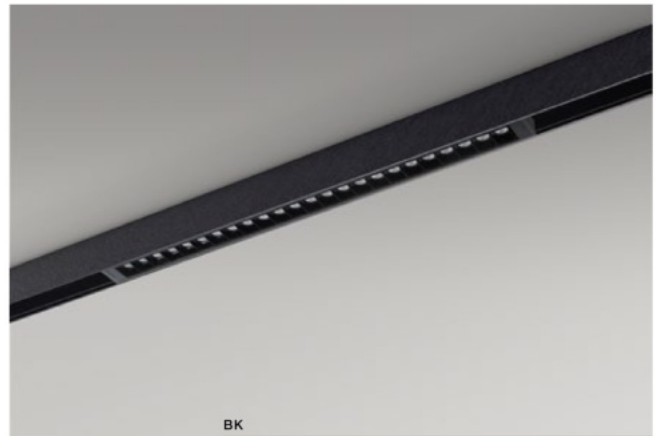


**BETA KIRA 230V TRACK MAGNETIC 9W**  
3000K/4000K LED integrated

voltage: 230V	LED 9W 685lm 3000K dimmable	<b>LED</b>
IP20	LED 9W 726lm 4000K dimmable	
technical	installation: BETA Track Magnetic 230V	<input type="checkbox"/>
specification	beam angle: 24°	

COLOUR / NEW INDEX NO.

- 3000K BLACK (BK) . . . . . **AZ5187**
  - 4000K BLACK (BK) . . . . . **AZ5211**
- 

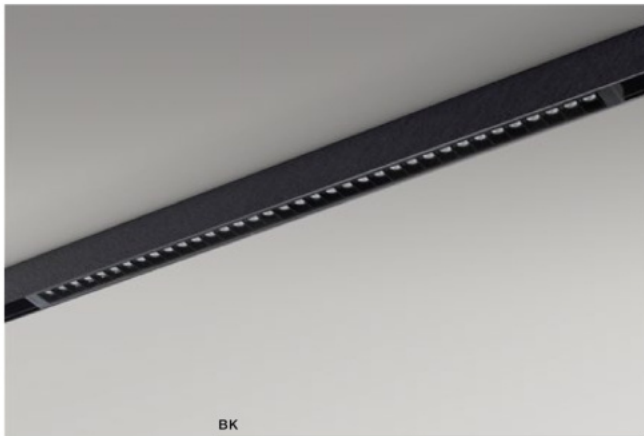


**BETA KIRA 230V TRACK MAGNETIC 18W**  
3000K/4000K LED integrated

voltage: 230V	LED 18W 1300lm 3000K dimmable	<b>LED</b>
IP20	LED 18W 1346lm 4000K dimmable	
technical	installation: BETA Track Magnetic 230V	<input type="checkbox"/>
specification	beam angle: 24°	

COLOUR / NEW INDEX NO.

- 3000K BLACK (BK) . . . . . **AZ5188**
  - 4000K BLACK (BK) . . . . . **AZ5212**
- 



**BETA KIRA 230V TRACK MAGNETIC 27W**  
3000K/4000K LED integrated

voltage: 230V	LED 27W 1357lm 3000K dimmable	<b>LED</b>
IP20	LED 27W 1416lm 4000K dimmable	
technical	installation: BETA Track Magnetic 230V	<input type="checkbox"/>
specification	beam angle: 24°	

COLOUR / NEW INDEX NO.

- 3000K BLACK (BK) . . . . . **AZ5189**
  - 4000K BLACK (BK) . . . . . **AZ5213**
-

# BETA KERRY 230V TRACK MAGNETIC57

104 Track Magnetic System – BETA

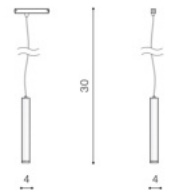


**BETA KERRY 230V TRACK MAGNETIC 10W**  
3000K LED integrated

voltage: 230V	LED 10W 635lm 3000K		<b>LED</b>
IP20	installation: BETA Track Magnetic 230V <input type="checkbox"/>		
technical specification	beam angle: 24° <input type="checkbox"/>		

COLOUR / NEW INDEX NO.

- 3000K BLACK (BK) . . . . . **AZ5203**

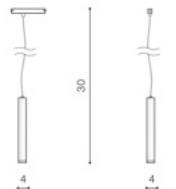


**BETA KERRY 230V TRACK MAGNETIC 10W**  
4000K LED integrated

voltage: 230V	LED 10W 654lm 4000K		<b>LED</b>
IP20	installation: BETA Track Magnetic 230V <input type="checkbox"/>		
technical specification	beam angle: 24° <input type="checkbox"/>		

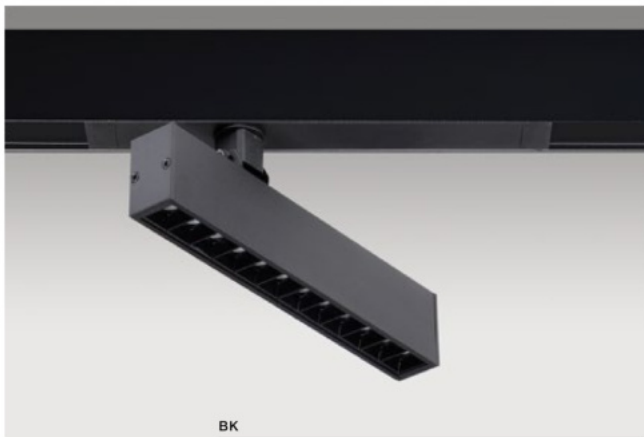
COLOUR / NEW INDEX NO.

- 4000K BLACK (BK) . . . . . **AZ5204**



BETA SANDERS 230V TRACK MAGNETIC57

Track Magnetic System - BETA



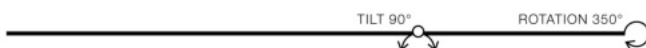
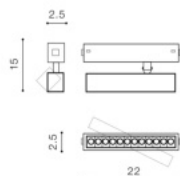
**BETA SANDERS 230V TRACK MAGNETIC 9W**  
3000K/4000K LED integrated

voltage: 230V	LED 9W 666lm 3000K dimmable	<b>LED</b>
IP20	LED 9W 700lm 4000K dimmable	
technical specification	installation: BETA Track Magnetic 230V	<input checked="" type="checkbox"/>
	beam angle: 24°	<input checked="" type="checkbox"/>



COLOUR / NEW INDEX NO.

- 3000K BLACK (BK) . . . . . **AZ5193**
- 4000K BLACK (BK) . . . . . **AZ5194**







BETA GARY 230V TRACK MAGNETIC57 GU10

106 Track Magnetic System – BETA



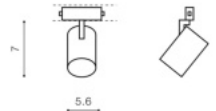
**BETA GARY 230V TRACK MAGNETIC GU10**

bulb not included

voltage: 230V	GU10 1x MAX 50W	
IP20	installation: BETA Track Magnetic 230V	

COLOUR / NEW INDEX NO.

- BLACK (BK) . . . . . **AZ5207**
- WHITE (WH) . . . . . **AZ5208**



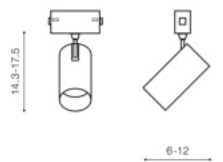
**BETA BECKER 230V TRACK MAGNETIC57 GU10**



**BETA BECKER 230V TRACK MAGNETIC GU10** bulb not included

voltage: 230V	GU10 1x MAX 40W
IP20	installation: BETA Track Magnetic 230V

- COLOUR / NEW INDEX NO.
- BLACK (BK) . . . . . **AZ5465**
  - WHITE (WH) . . . . . **AZ5466**





# BETA OPTICA 230V TRACK MAGNETIC57

108 Track Magnetic System – BETA



## BETA OPTICA 230V TRACK MAGNETIC 7W 3000K/4000K LED integrated

voltage: 230V	LED 7W 336lm 3000K dimmable		
IP20	LED 7W 395lm 4000K dimmable		
technical specification	installation: BETA Track Magnetic 230V		
	beam angle: 15°÷38°		

### COLOUR / NEW INDEX NO.

- 3000K BLACK (BK) . . . . . **AZ5195**
- 4000K BLACK (BK) . . . . . **AZ5196**

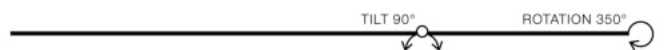


## BETA OPTICA 230V TRACK MAGNETIC 10W 3000K/4000K LED integrated

voltage: 230V	LED 10W 805lm 3000K dimmable		
IP20	LED 10W 847lm 4000K dimmable		
technical specification	installation: BETA Track Magnetic 230V		
	beam angle: 15°÷38°		

### COLOUR / NEW INDEX NO.

- 3000K BLACK (BK) . . . . . **AZ5198**
- 4000K BLACK (BK) . . . . . **AZ5197**



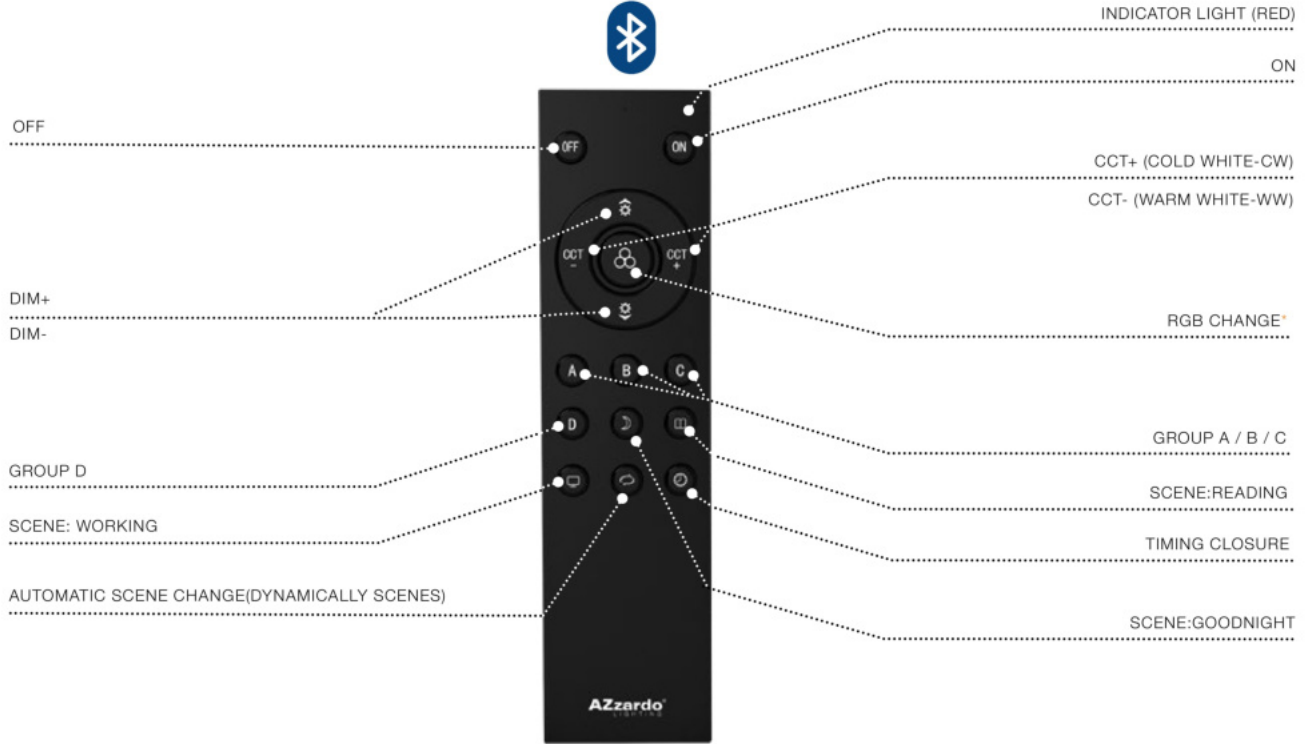
BETA OPTICA 230V TRACK MAGNETIC57



REMOTE CONTROL BLUETOOTH

Remote Control 4-Group & RGB & Bluetooth  
Operating Schematic

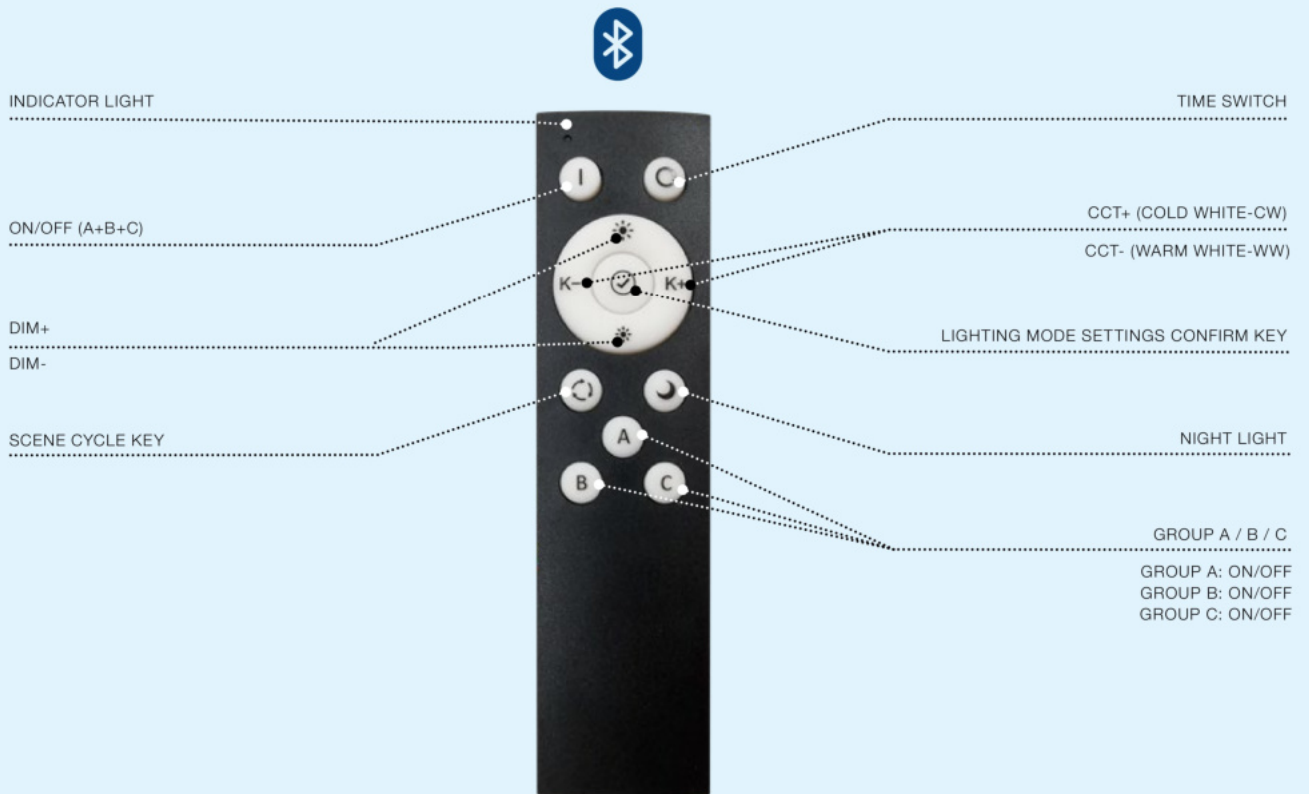
AZ5265



\*RGB CHANGE ONLY USED FOR RGB LAMPS  
THE CCT LAMP CAN'T BE USE THIS BUTTON FUNCTION

Remote Control 3 Group  
Operating Schematic

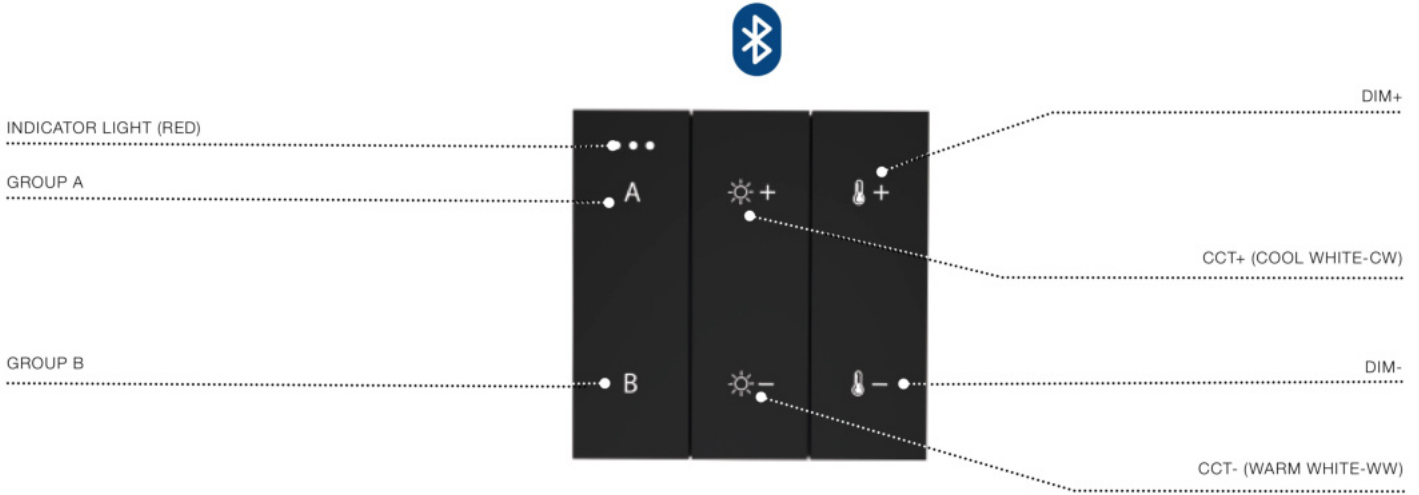
AZ4857



Switch Panel Remote Control 2-Group Bluetooth Bk

Operating Schematic

AZ5209



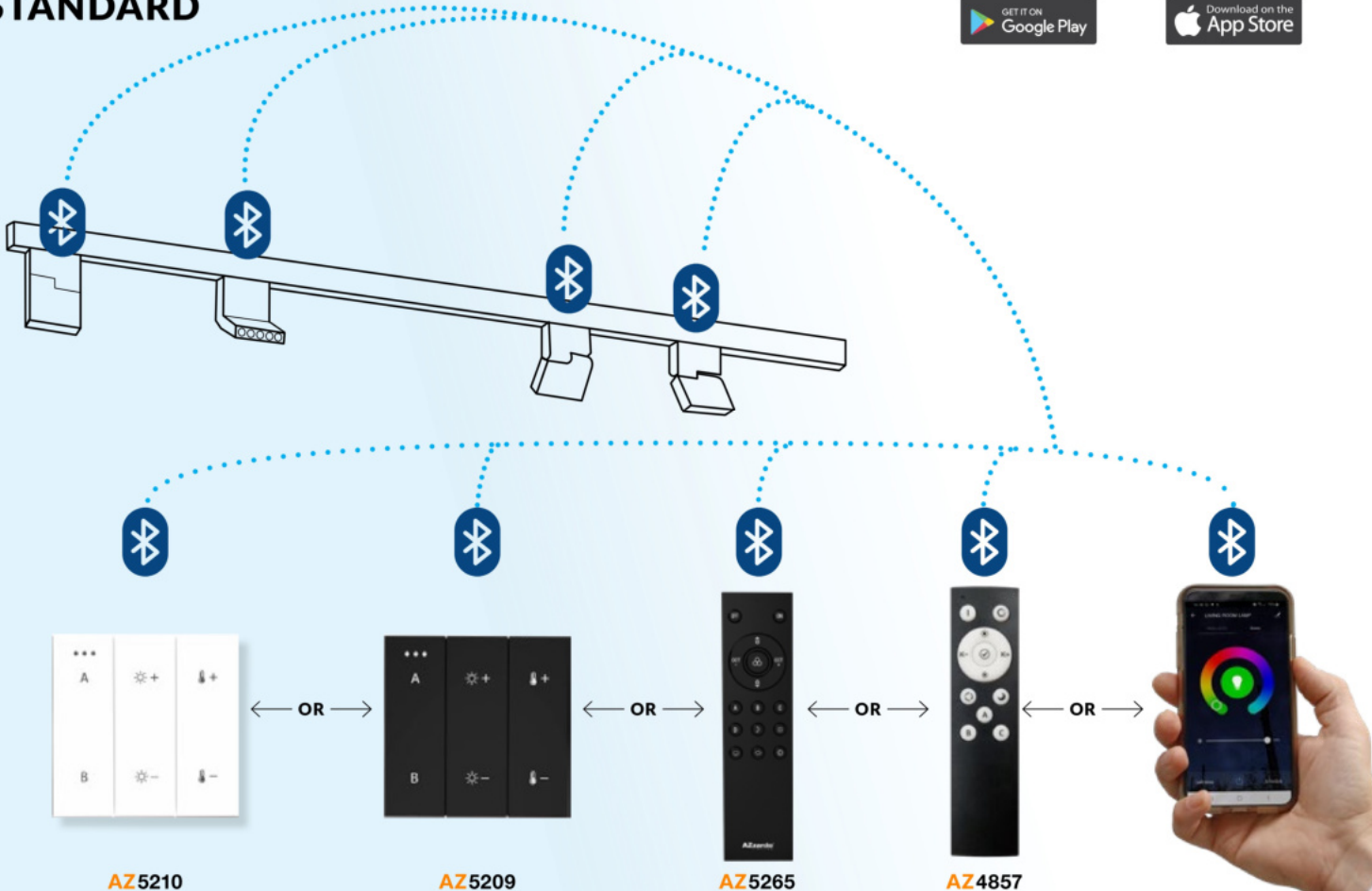
Switch Panel Remote Control 2-Group Bluetooth

SWITCH PANEL REMOTE CONTROL 2-GROUP BLUETOOTH (WH) . . . . . AZ5210

DOWNLOAD THE APP



STANDARD





# BETA MAKITA 230V TRACK MAGNETIC57 CCT BLUETOOTH

112 Track Magnetic System – BETA



BK

## BETA MAKITA 230V TRACK MAGNETIC 10W CCT BLUETOOTH

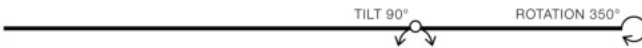
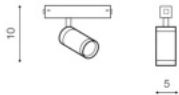
LED integrated

voltage: 230V	LED 10W 1234lm CCT 3000-6000K	<b>LED</b>
IP20	dimmable	
technical specification	installation: BETA Track Magnetic 230V	<input type="checkbox"/>
	beam angle: 24°	<input checked="" type="checkbox"/>



COLOUR / NEW INDEX NO.

■ BLACK (BK) . . . . . **AZ5184**



BK

## BETA MAKITA 230V TRACK MAGNETIC 20W CCT BLUETOOTH

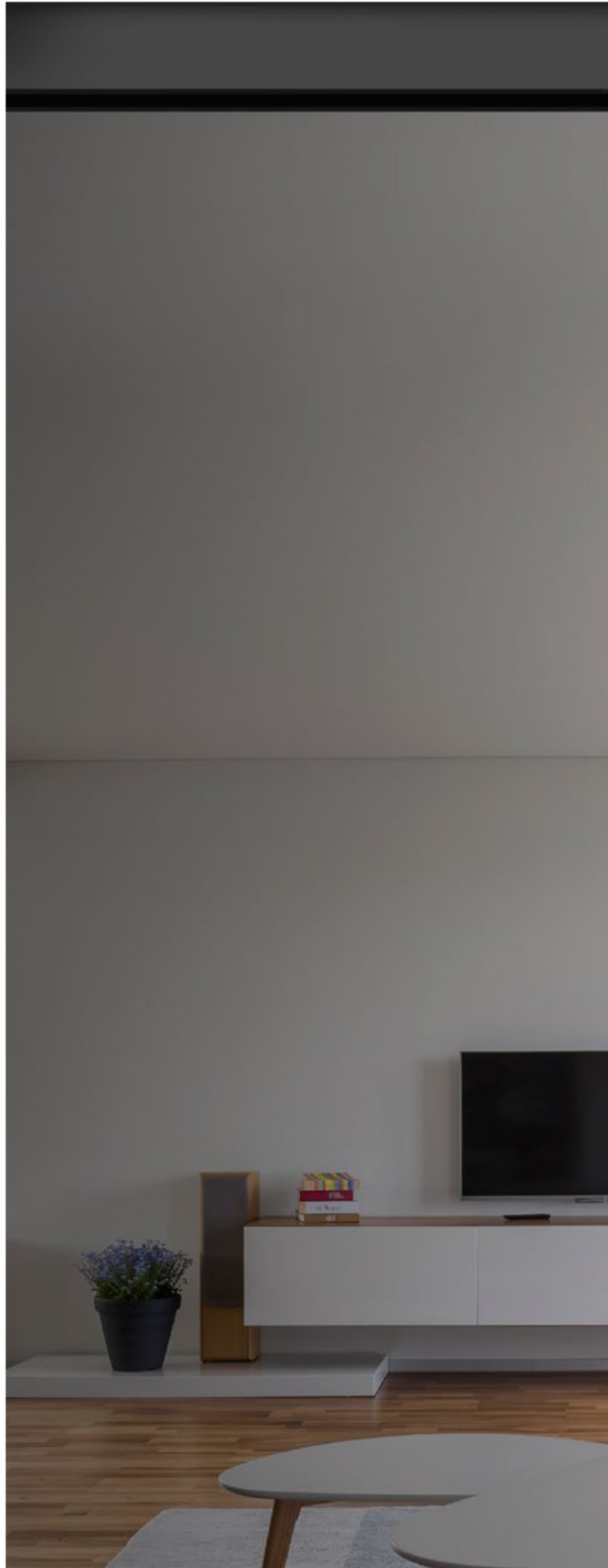
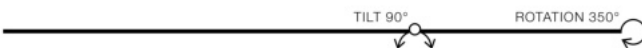
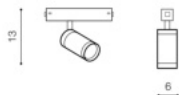
LED integrated

voltage: 230V	LED 20W 2388lm CCT 3000-6000K	<b>LED</b>
IP20	dimmable	
technical specification	installation: BETA Track Magnetic 230V	<input type="checkbox"/>
	beam angle: 24°	<input checked="" type="checkbox"/>



COLOUR / NEW INDEX NO.

■ BLACK (BK) . . . . . **AZ5185**





**BETA MAKITA 230V TRACK MAGNETIC57 CCT BLUETOOTH**

Track Magnetic System - BETA

113



# BETA MAKITA 230V TRACK MAGN.57 RGB-CW CCT BLUETOOTH

114 Track Magnetic System – BETA



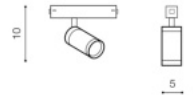
## BETA MAKITA 230V TRACK MAGNETIC 10W RGB-CW CCT BLUETOOTH

LED integrated

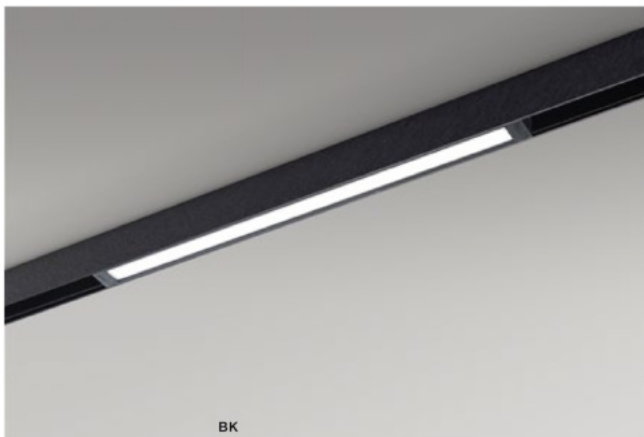
voltage: 230V	LED 10W 1234lm RGB-CW CCT	
IP20	3000K-6000K dimmable	
technical specification	installation: BETA Track Magnetic 230V	<input type="checkbox"/>
	beam angle: 24°	<input checked="" type="checkbox"/>

COLOUR / NEW INDEX NO.

■ BLACK (BK) . . . . . **AZ5206**



BETA SAGA 230V TRACK MAGNETIC57 RGB-CW BLUETOOTH



**BETA SAGA 230V TRACK MAGNETIC 18W**  
RGB-CW BLUETOOTH LED integrated

voltage: 230V	LED 18W 1503lm 3000K-6000K	
IP20	dimmable	
technical specification	installation: BETA Track Magnetic 230V	<input checked="" type="checkbox"/>
	beam angle: 120°	<input checked="" type="checkbox"/>



COLOUR / NEW INDEX NO.

BLACK (BK) . . . . . **AZ5205**





# BETA SAGA 230V TRACK MAGNETIC57 CCT BLUETOOTH

116 Track Magnetic System – BETA



## BETA SAGA 230V TRACK MAGNETIC 9W CCT BLUETOOTH LED integrated

voltage: 230V	LED 9W 1503lm CCT 3000K-6000K	<b>LED</b>
IP20	dimmable	
technical specification	installation: BETA Track Magnetic 230V	<input type="checkbox"/>
	beam angle: 120°	<input type="checkbox"/>

COLOUR / NEW INDEX NO.

<span style="display: inline-block; width: 10px; height: 10px; background-color: black; margin-right: 5px;"></span> BLACK (BK) . . . . . <b>AZ5178</b>	4 — — — —
	2,5 — — 22

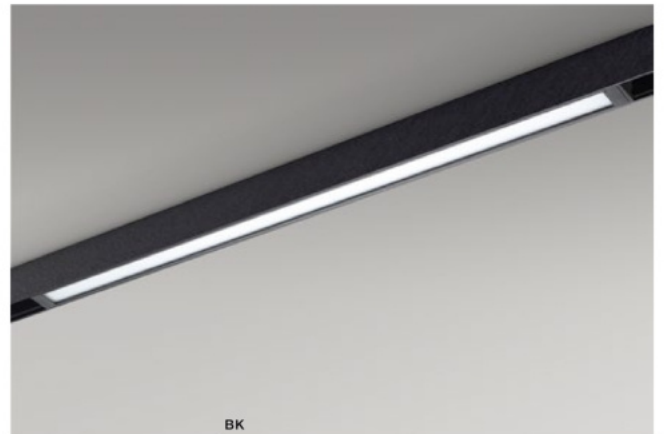


## BETA SAGA 230V TRACK MAGNETIC 18W CCT BLUETOOTH LED integrated

voltage: 230V	LED 18W 1503lm CCT 3000-6000K	<b>LED</b>
IP20	dimmable	
technical specification	installation: BETA Track Magnetic 230V	<input type="checkbox"/>
	beam angle: 120°	<input type="checkbox"/>

COLOUR / NEW INDEX NO.

<span style="display: inline-block; width: 10px; height: 10px; background-color: black; margin-right: 5px;"></span> BLACK (BK) . . . . . <b>AZ5179</b>	7 — — — —
	30 — — 41



## BETA SAGA 230V TRACK MAGNETIC 27W CCT BLUETOOTH LED integrated

voltage: 230V	LED 27W 2695lm CCT 3000-6000K	<b>LED</b>
IP20	dimmable	
technical specification	installation: BETA Track Magnetic 230V	<input type="checkbox"/>
	beam angle: 120°	<input type="checkbox"/>

COLOUR / NEW INDEX NO.

<span style="display: inline-block; width: 10px; height: 10px; background-color: black; margin-right: 5px;"></span> BLACK (BK) . . . . . <b>AZ5180</b>	7 — — — —
	30 — — 60

BETA SAGA 230V TRACK MAGNETIC57 CCT BLUETOOTH

Track Magnetic System - BETA





# BETA KIRA 230V TRACK MAGNETIC57 CCT BLUETOOTH

118 Track Magnetic System – BETA



BK

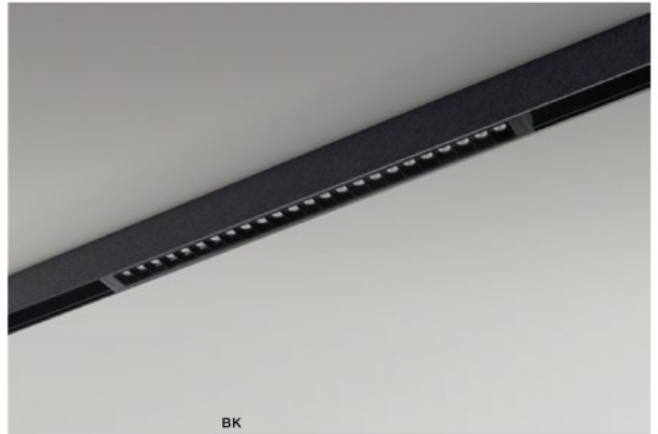
## BETA KIRA 230V TRACK MAGNETIC 9W CCT BLUETOOTH LED integrated

voltage: 230V	LED 9W 1033lm CCT 3000-6000K		<b>LED</b>
IP20	dimmable		
technical specification	installation: BETA Track Magnetic 230V	<input type="checkbox"/>	
	beam angle: 24°	<input type="checkbox"/>	

COLOUR / NEW INDEX NO.

■ BLACK (BK) . . . . . **AZ5175**      ◀ 1 ————— 2.5 ▶

————— 22 —————



BK

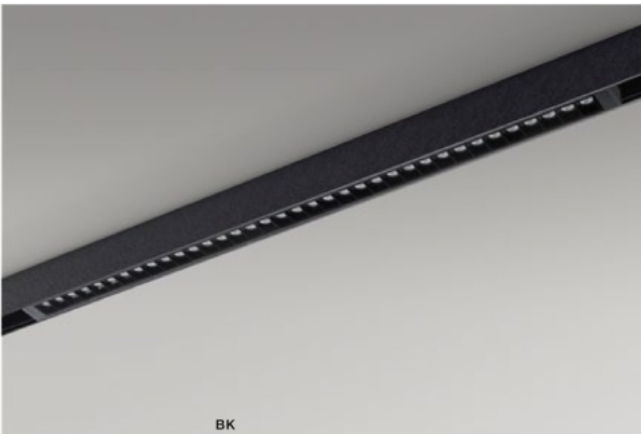
## BETA KIRA 230V TRACK MAGNETIC 18W CCT BLUETOOTH LED integrated

voltage: 230V	LED 18W 1962lm CCT 3000-6000K		<b>LED</b>
IP20	dimmable		
technical specification	installation: BETA Track Magnetic 230V	<input type="checkbox"/>	
	beam angle: 24°	<input type="checkbox"/>	

COLOUR / NEW INDEX NO.

■ BLACK (BK) . . . . . **AZ5176**      ◀ 1 ————— 2.5 ▶

————— 41 —————



BK

## BETA KIRA 230V TRACK MAGNETIC 27W CCT BLUETOOTH LED integrated

voltage: 230V	LED 27W 3420lm CCT 3000-6000K		<b>LED</b>
IP20	dimmable		
technical specification	installation: BETA Track Magnetic 230V	<input type="checkbox"/>	
	beam angle: 24°	<input type="checkbox"/>	

COLOUR / NEW INDEX NO.

■ BLACK (BK) . . . . . **AZ5177**      ◀ 1 ————— 2.5 ▶

————— 60 —————



BETA KERRY 230V TRACK MAGNETIC57 CCT BLUETOOTH

Track Magnetic System - BETA



BK

**BETA KERRY 230V TRACK MAGNETIC 10W CCT BLUETOOTH**

LED integrated

voltage: 230V

LED 10W 1046lm CCT 3000-6000K

IP20

dimmable



technical

installation: BETA Track Magnetic 230V

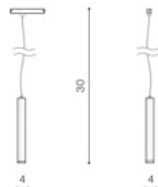
specification

beam angle: 24°



COLOUR / NEW INDEX NO.

■ BLACK (BK) . . . . . **AZ5186**



# BETA SANDERS 230V TRACK MAGNETIC 57 CCT BLUETOOTH

120 Track Magnetic System – BETA



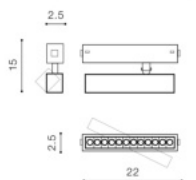
## BETA SANDERS 230V TRACK MAGNETIC 9W CCT BLUETOOTH

LED integrated

voltage: 230V	LED 9W 1010lm CCT 3000-6000K	
IP20	dimmable	
technical specification	installation: BETA Track Magnetic 230V	<input type="checkbox"/>
	beam angle: 24°	<input checked="" type="checkbox"/>

COLOUR / NEW INDEX NO.

BLACK (BK) . . . . . **AZ5181**





# BETA OPTICA 230V TRACK MAGNETIC57 CCT BLUETOOTH

Track Magnetic System - BETA



BK

## BETA OPTICA 230V TRACK MAGNETIC 7W CCT BLUETOOTH

LED integrated

voltage: 230V

LED 7W 467lm CCT 3000-6000K



IP20



dimmable

technical

installation: BETA Track Magnetic 230V



specification

beam angle: 15°±38°



BK

## BETA OPTICA 230V TRACK MAGNETIC 10W CCT BLUETOOTH

LED integrated

voltage: 230V

LED 10W 1143lm CCT 3000-6000K



IP20



dimmable

technical

installation: BETA Track Magnetic 230V

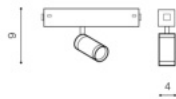


specification

beam angle: 15°±38°



COLOUR / NEW INDEX NO.

 ■ BLACK (BK) . . . . . **AZ5182**


COLOUR / NEW INDEX NO.

 ■ BLACK (BK) . . . . . **AZ5183**
